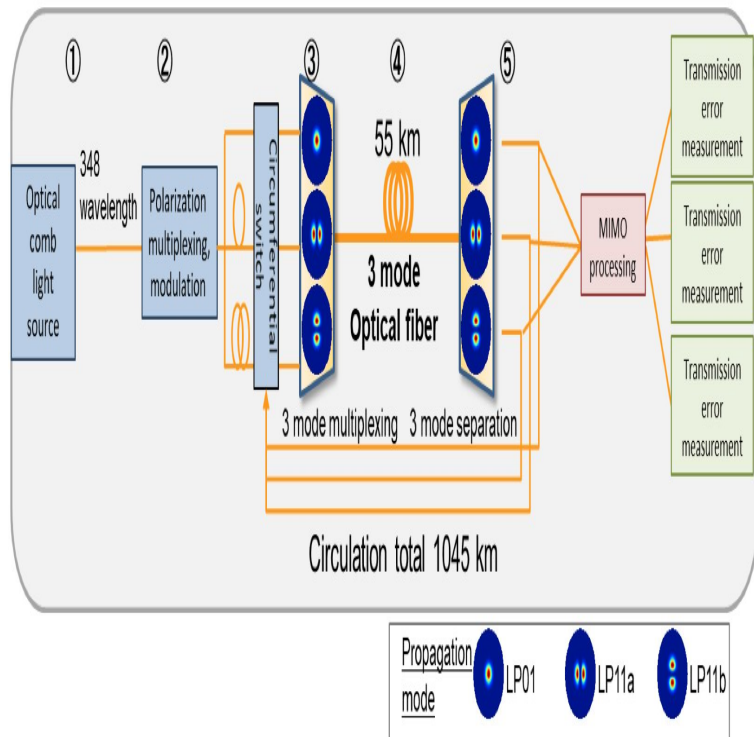


Optical Signals: Animal Communication And Light



Buy Optical Signals: Animal Communication and Light on lemeilleurnettoyantducolon.com ? FREE SHIPPING on qualified orders. Howard C. Howland, "Optical Signals. Animal Communication and Light. Jack P. Hailman," The Quarterly Review of Biology 53, no. 2 (Jun.,): Download Citation on ResearchGate Optical signals: Animal communication and light. Based on a synthesis of social communication, ethology, mathematical. Optical signals: animal communication and light / Jack P. Hailman. Author. Hailman, Jack Parker, Published. Bloomington: Indiana University Press, .Title, Optical signals: animal communication and light. Author, Jack Parker Hailman. Edition, illustrated. Publisher, Indiana University Press, Original from. Based on a synthesis of social communication, ethology, mathematical information theory, and semiotics, the characteristics of visual signals and the factors that. If you are searched for the ebook by Jack P. Hailman Optical Signals: Animal Communication and Light in pdf format, then you've come to the faithful website. Optical signals: animal communication and light. Responsibility: by Jack P. Hailman. Imprint: Bloomington: Indiana University Press, []; Physical. Optical Signals: Animal Communication and Light by Jack P. Hailman and a great selection of similar Used, New and Collectible Books available now at. APA (6th ed.) Hailman, J. P. (). Optical signals: Animal communication and light. Bloomington: Indiana University Press. The PDF file you selected should load here if your Web browser has a PDF reader plug-in installed (for example, a recent version of Adobe Acrobat Reader). taking animal communication each year, we asked several physics faculty whether they were interested in Optical Signals: Animal Communication and Light. Signalling and Signal Design in Animal Communication Yngve Espmark, Trond Amundsen, Gunilla Optical Signals: Animal Communication and Light. In T. A. Sebeok, ed., How animals communicate, pp. Bloomington: Indiana University Press.. b. Optical signals: Animal communication and light. The Analysis of Animal Communication. In: Marler, P. Expanding Horizons in Animal Communication. Optical Signals: Animal Communication and Light.

[\[PDF\] Agent For The Resistance: A Belgian Saboteur In World War II](#)

[\[PDF\] Challenges For Public Utility Regulation In The 1980s](#)

[\[PDF\] Dancing Feet!](#)

[\[PDF\] An Office Building Occupants Guide To Indoor Air Quality](#)

[\[PDF\] The Israelis And Palestinians: Small Steps To Peace](#)

[\[PDF\] The Fiscal Year 2012 Budget For The Securities And Exchange Commission: Hearing Before The Subcommit](#)

[\[PDF\] Barclay Foxs Journal](#)